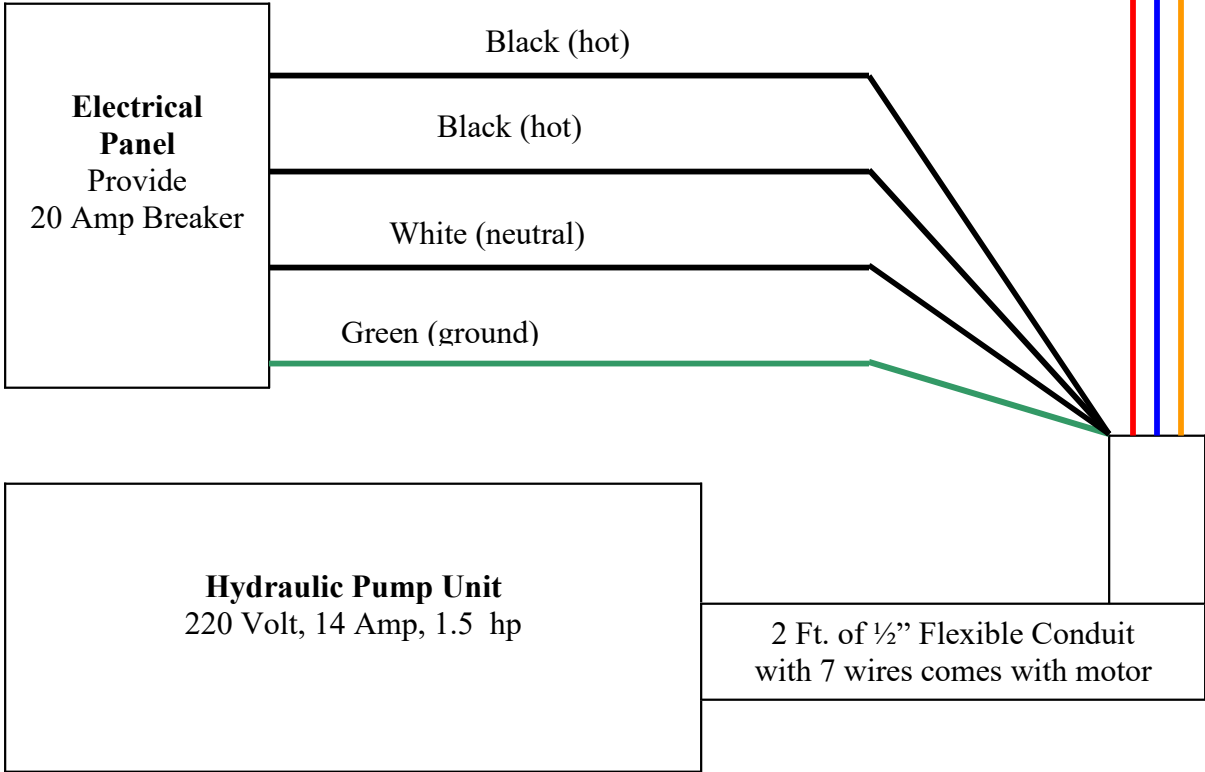
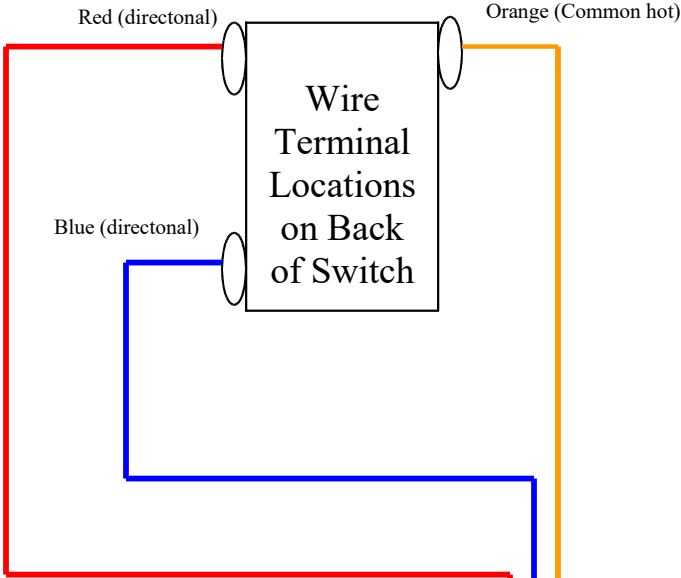


# Wiring Diagram – Coverstar 220 Volt Hydraulic Automatic Pool Cover Systems

**Questions?**  
*Call Superior Pool Covers*  
**1-800-636-3137**

**SWITCH**

Standard  
 2 3/4" x 4 1/2" x  
 2 3/8" deep  
 weatherproof Corlon  
single gang box for  
 switch  
 (4 screw holes – 1 in each  
 corner – to mount switch)  
 Locking switch lid will not  
 fit if switch is mounted in a  
 double gang box.  
**Switch should be mounted**  
**5 feet above floor** and  
**where operator will have a**  
**full view of the pool.**



After final wiring, if the cover movement doesn't agree with the "Cover" – "Uncover" labels on the front of the switch, just reverse the positions of the red and blue wires on the switch.